

Upstands

EXAMPLES

The Stair Lock Stairway System uses a series of UPSTANDS to help finish landings, winders, bottom treads and stringers around walls and openings. Depending on the stair configuration, upstands may be supplied in 32mm MDF (or 33mm for veneered) to match stringer and skirting thicknesses or in a 90mm post material.

The following drawings are some typical examples of where and how upstands are used.

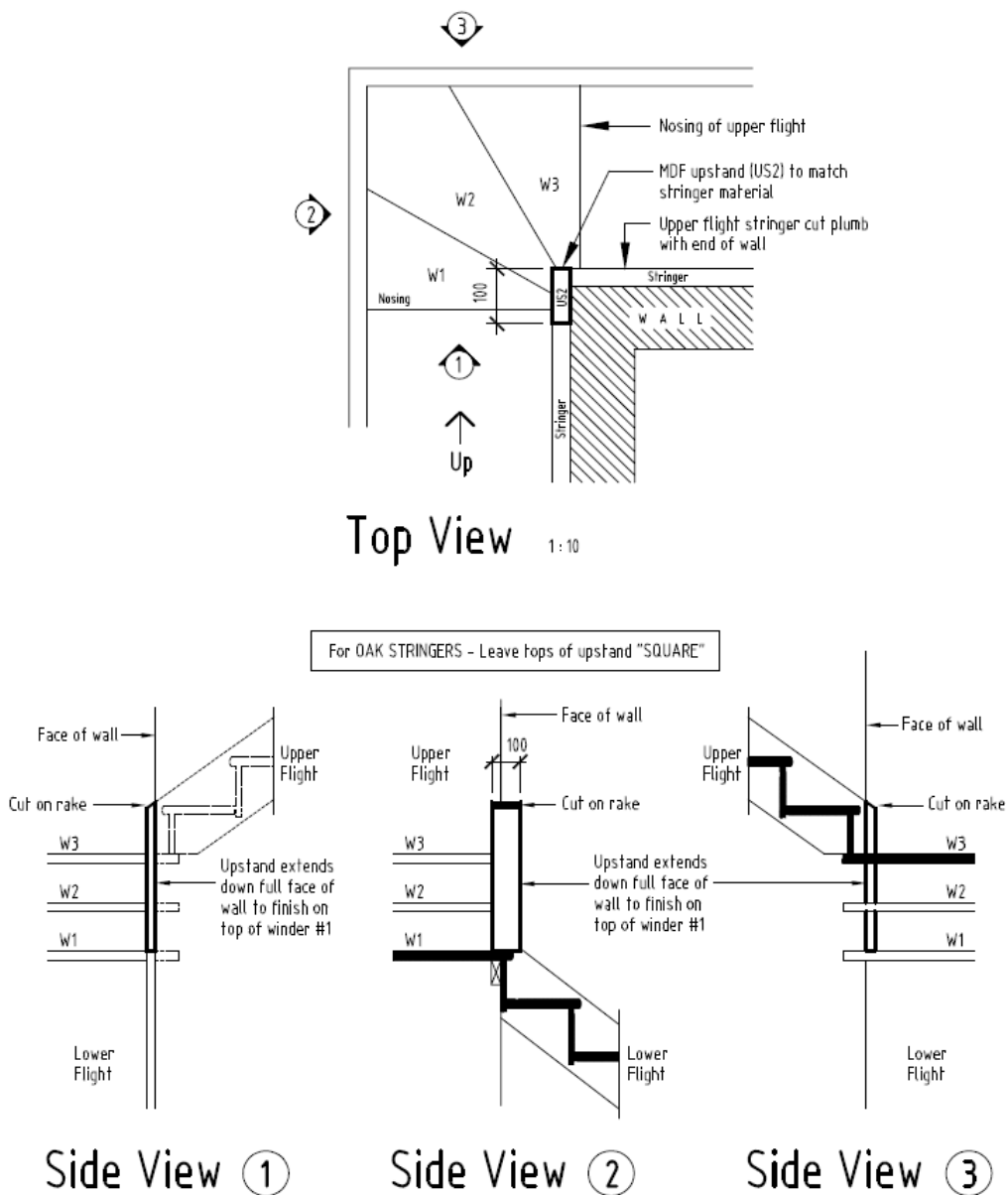
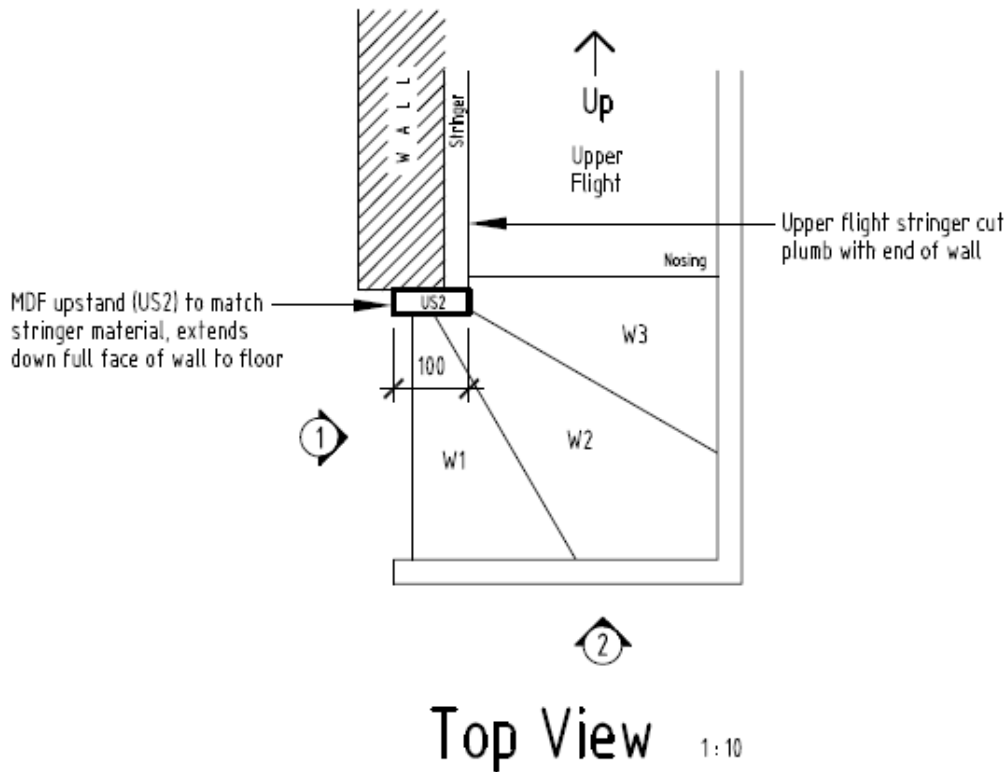


Figure 9
L-Shape Stair with Winders around Wall



For OAK STRINGERS – Leave tops of upstand "SQUARE"

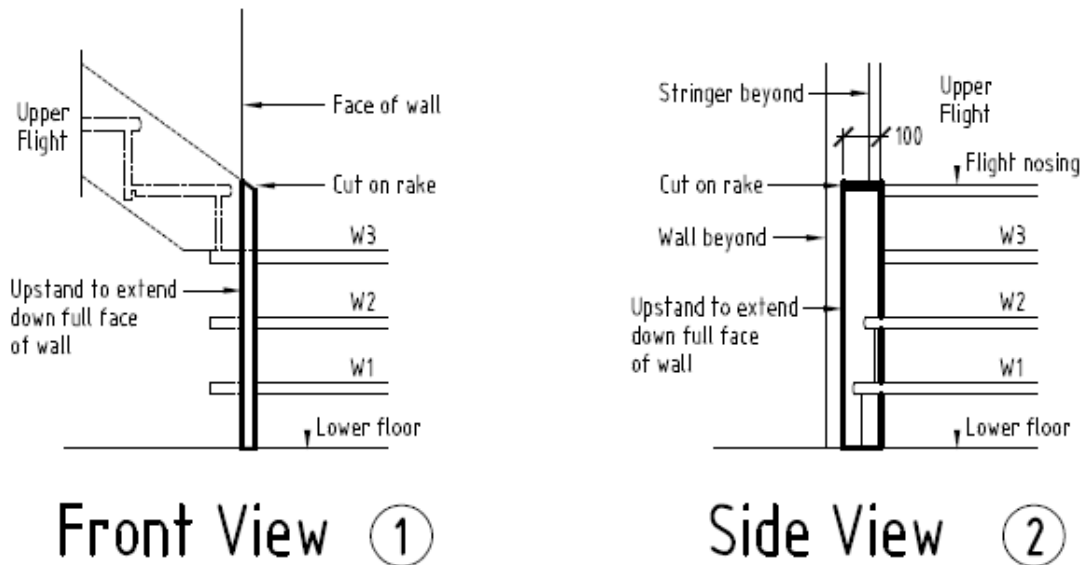


Figure 10
Straight Flight with Lower Winders around Wall

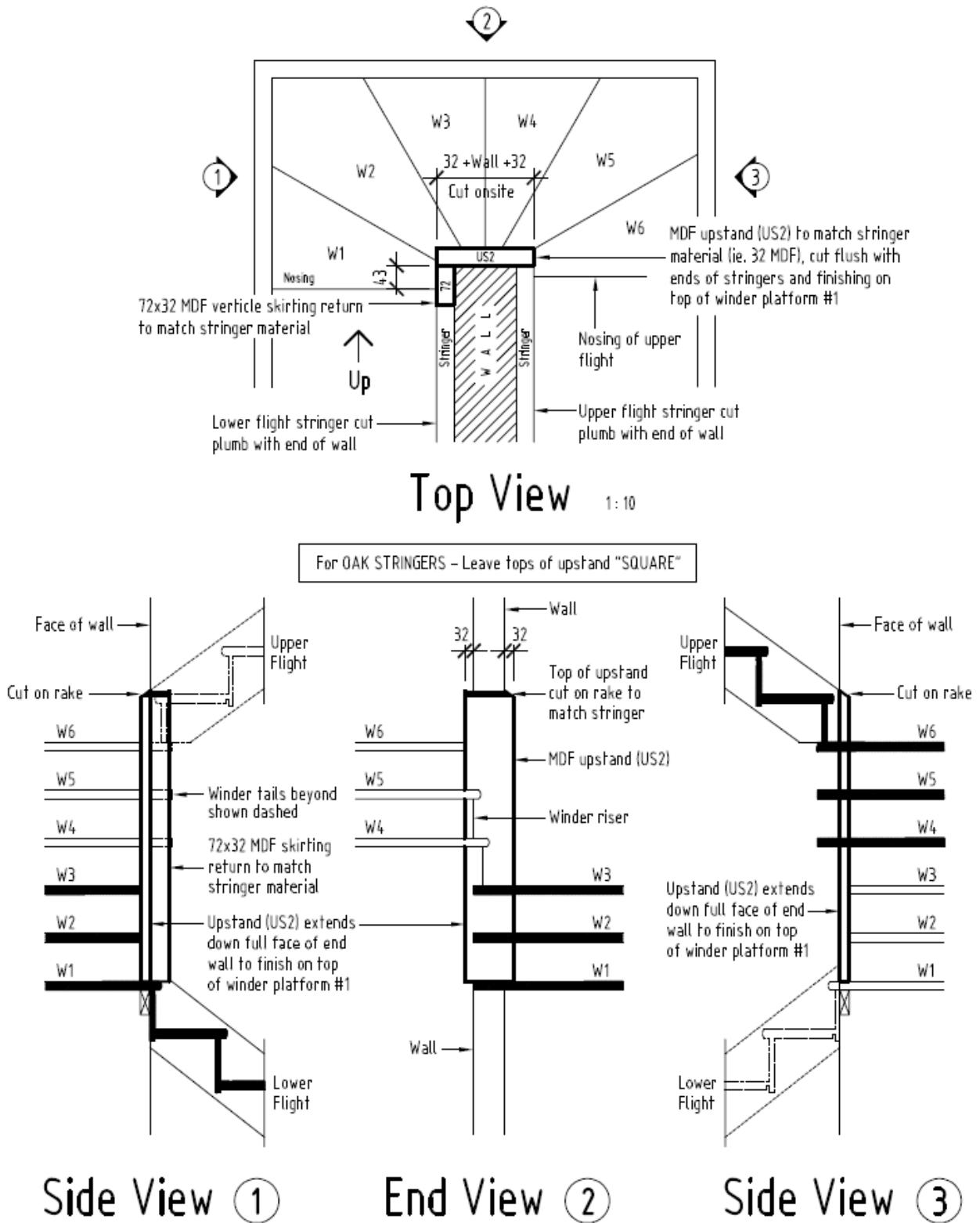
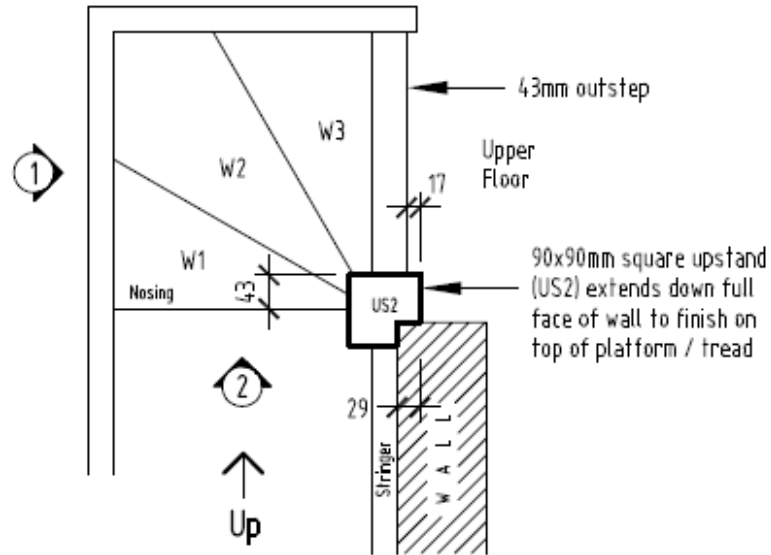
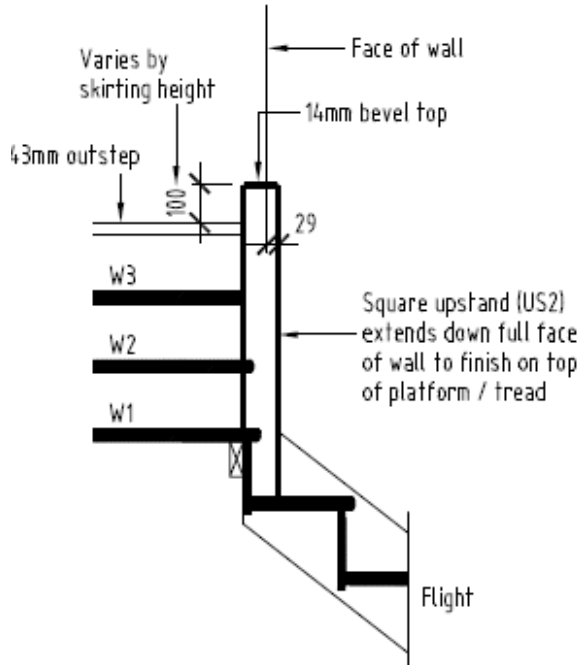


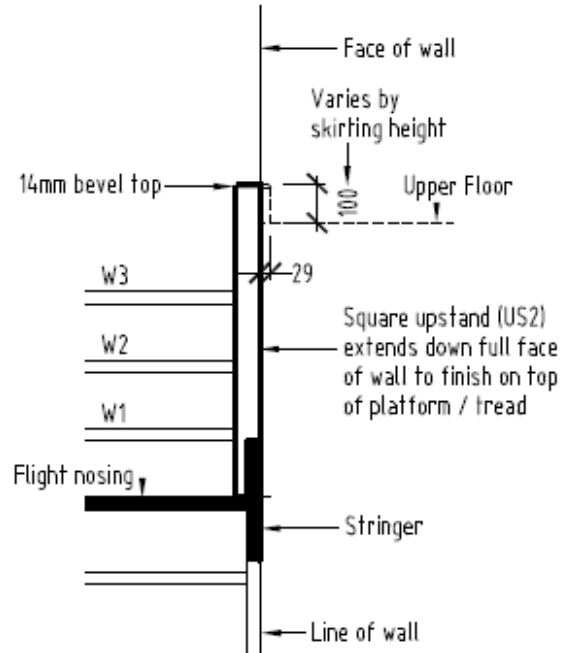
Figure 11
U-Shape Stair with Winders around Wall



Top View 1:10



Side View ①



Front View ②

Figure 12
Straight Flight with Upper Winders around Wall