

Bullnose Treads

ASSEMBLY

- 1) With the tread upside down, position the curved riser block 25mm back from the nosing.
- 2) Trace the riser block to the underside of the tread. Drill several 4mm pilot holes through the tread, then glue and screw the riser block to the tread
- 3) Cut the 32mm risers to length and fix one to each side of the tread.

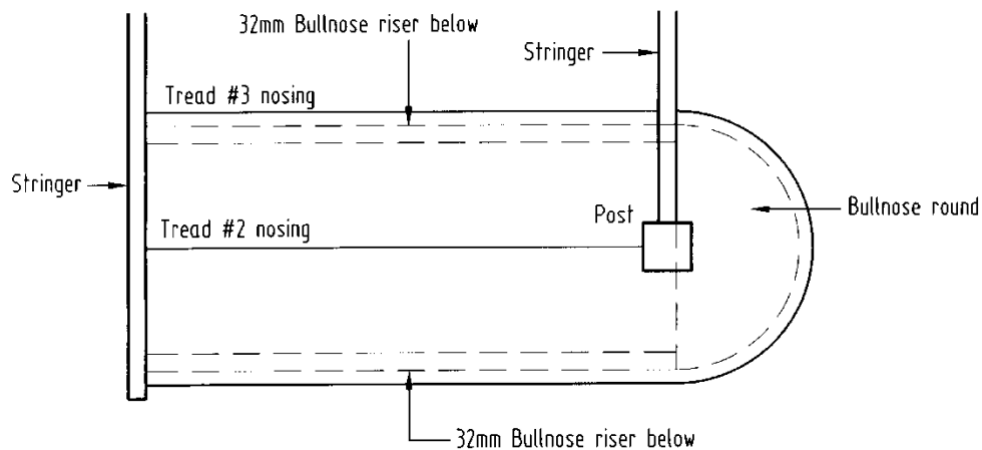


Figure 7
240mm Radius Bullnose Tread

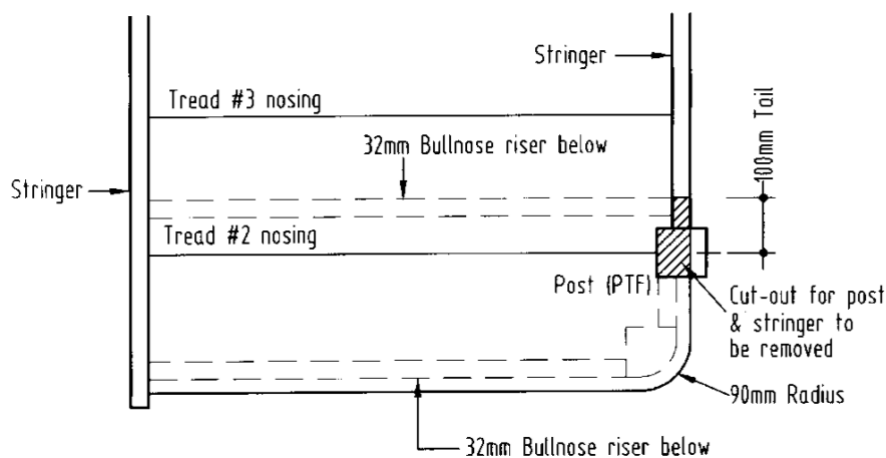
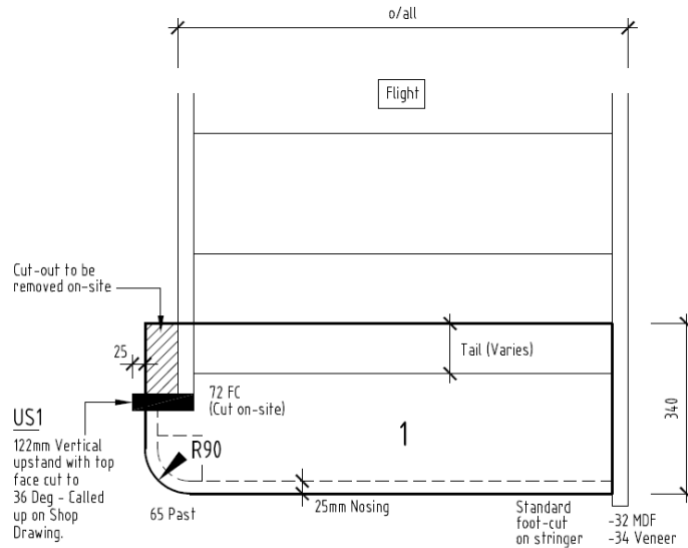


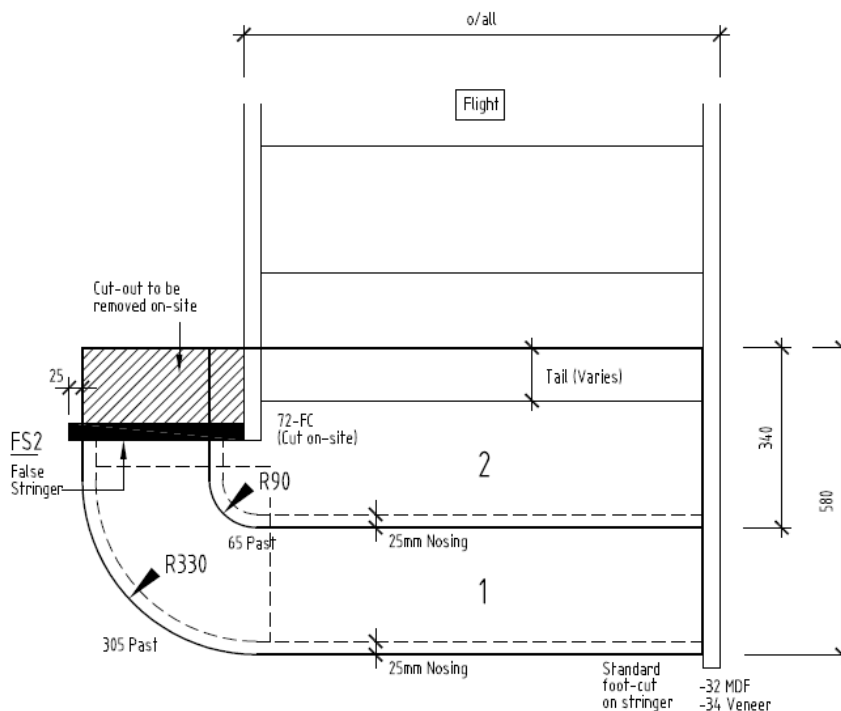
Figure 8
90mm Radius Bullnose Tread

EXAMPLES



Tread #1

$$(\text{= Flight} + 65\text{mm} - 32\text{mm}) - 34\text{mm}$$

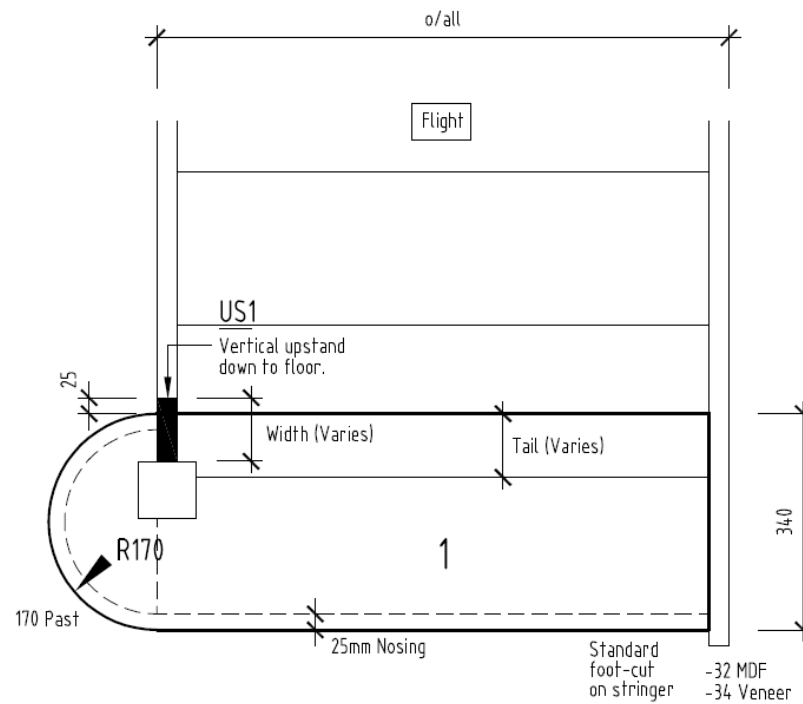


Tread #2

$$(\text{= Flight} + 65\text{mm} - 32\text{mm}) - 34\text{mm}$$

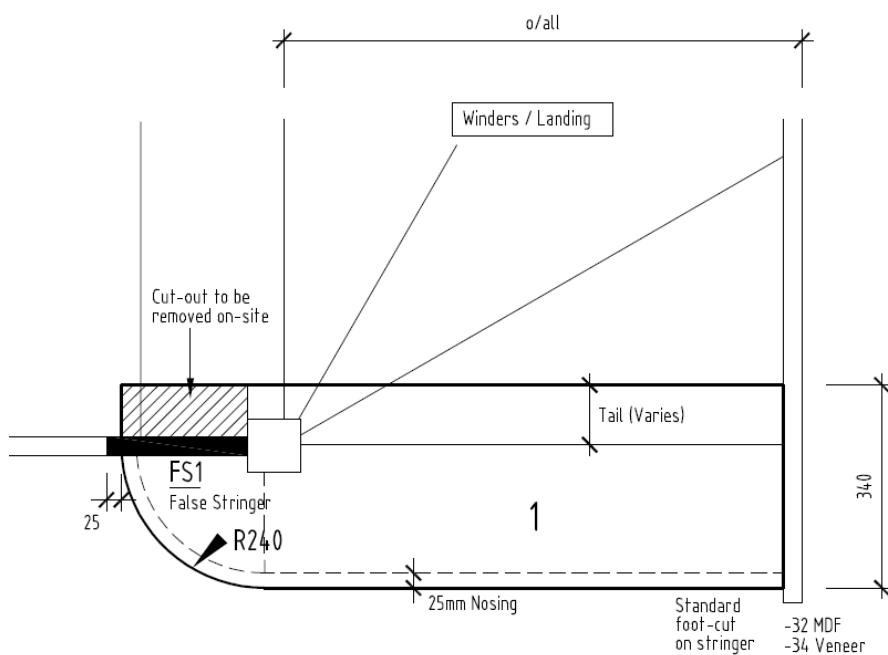
Tread #1

$$(\text{= Flight} + 305\text{mm} - 32\text{mm}) - 34\text{mm}$$



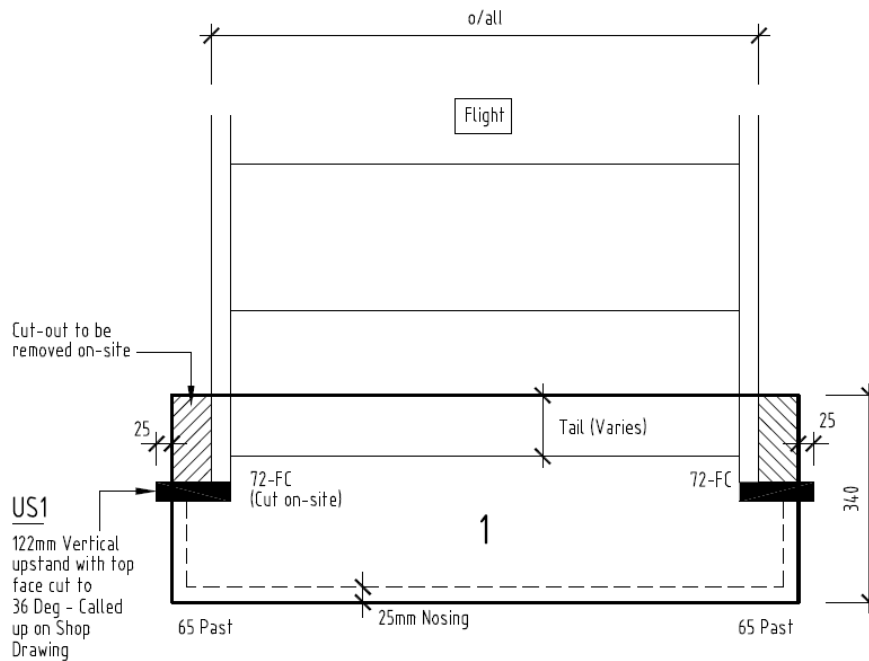
Tread #1

$$\begin{aligned}
 & (= \text{Flight} + 170\text{mm} - 32\text{mm}) \\
 & \quad - 34\text{mm}
 \end{aligned}$$



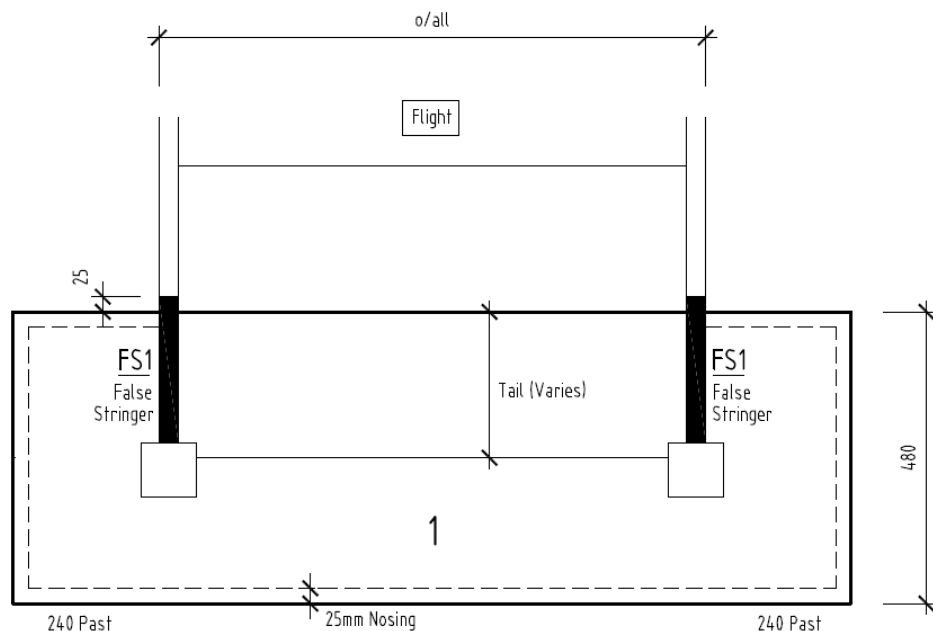
Tread #1

$$\begin{aligned}
 & (= \text{Winders} + 32\text{mm} + 240\text{mm} - 32\text{mm}) \\
 & \quad - 34\text{mm}
 \end{aligned}$$



Tread #1

$$= \text{Flight} + 65\text{mm} + 65\text{mm}$$



Tread #1

$$= \text{Flight} + 240\text{mm} + 240\text{mm}$$